

COACHMEN CLASS C
Concord
Features and Benefits Walk Through

2019 & 2020 Models
Product Produced between September 2018 thru August 2019

CONCORD

by Coachmen

The Concord Class C Motorhome provides a luxurious and convenient solution to both traveling and RVing



TOP SELLING FEATURES



FEATURE

COACHMEN ADVANTAGE

CONSTRUCTION

Azdel Composite sidewall substrate	Rot-resistant – Light weight – Greater insulation value than luan – Formaldehyde free
100% aluminum cage constructed body (sidewalls, roof, floor, cabover and rear wall)	Aluminum will not rot or delaminate – Reduces body flex – Lighter weight than wood framing
Dicor "CrossFlex" synthetic thermoplastic, nylon cross-webbing roof material	12 year limited warranty – ASTM D751 tested – Light weight – Industry leading durability
"Certified Green" construction	3rd party certification – Ensures we are using modern building materials, construction practices, and components
In-House Chassis Modifications	QVM certified shop – OEM matching material and components

EXTERIOR

"Zero Overhang" Molded fiberglass <u>FRONT</u> cap	Aero-dynamic Look – Automotive Contouring – LED Accent Lighting – Molded Fiberglass Wing Walls
Molded fiberglass <u>REAR</u> cap	Automotive Contouring – Recessed Taillights – Frameless Rear Window – Integrated Bumper
Curved automotive style sidewalls	Sleek Automotive Look – Narrow Body – Slam-Latch Compartment Doors – Molded Fiberglass Fender Skirting
Electric entry step	Automatically Deploys & Retracts – Lower First Step – Non-Skid Surface
Swingout waste termination	Makes holding tank clean-up a breeze – Easy winterization – Exterior water pump switch – Single hose inlet

INTERIOR

Front entertainment center	Large 32" HD-LCD TV – Coach Stereo System – Sound Bar & Subwoofer – Multi Media Cabinet Storage
Solid surface kitchen countertop	Luxurious, Durable Stone Top – Heat Resistant – Anti-Cut Surface – Large Stainless Steel Sink
Large "LED" living room pan ceiling light	Bright, Soft White Light – Energy Efficient – Long Bulb Life – Minimal Radiant Heat – Dimmer Controlled
Intellitec – Multiplex Command Center	Latest In Capacitive Touch Technology – Sleek, flush mount, touch sensitive panel – All-in-One Console combining the monitor panel, and auxiliary switches
Aqua View "Showermiser"	"Extended Stay" Technology – Saves 20%-40% of Fresh Water – Saves 20%-40% of Gray Water Tank Capacity – Fill Your Fresh Water Tank From Inside The RV

ENTERTAINMENT

Wi-Fi Ranger Sky4	Boosts weak Wi-Fi signal – Secure network with SafeSurf VPN – Single login for all devices – Auto-reconnect – LTE data ready
Furrion LCD TV	High brightness LED – Vibrationsmart™ - vibration resistant – Climatesmart™ - tested for extreme climates
Touch screen dash radio with back-up monitor (available with option "CarPlay" dash radio)	Convenient touch screen function – Large screen for rear view camera
"Omni Directional" TV antenna	Fixed mount without crankup – Superior signal capability
Exterior TV prep compartment	Exterior ready compartment complete with 110v outlet and coaxial hook-up

TOP SELLING FEATURES

CONCORD
by Coachmen



MOLDED FIBERGLASS FRONT CAP

- Zero Overhang
- Aero-dynamic Look
- Automotive Contouring
- LED Accent Lighting
- Molded Fiberglass Wing Walls



MOLDED FIBERGLASS REAR CAP

- Automotive Contouring
- Recessed Taillights
- Frameless Rear Window
- Integrated Bumper



CURVED AUTOMOTIVE SIDEWALLS

- Sleek Automotive Look
- Narrow Body Design (96" width)
- Slam-Latch Compartment Doors
- Molded Fiberglass Fender Skirting

TOP SELLING FEATURES

C O N C O R D
by Coachmen



SWINGOUT WASTE TERMINATION

- Roto-Cast Polymer Floor
- Seamless Floor Bins with Drains
- Multiple Large Access Doors



POWER ENTRY STEP

- Automatically Deploys & Retracts
- Lower First Step
- Non-Skid Surface

TOP SELLING FEATURES

C O N C O R D
by Coachmen



FRONT ENTERTAINMENT CENTER

- Large 32" HD-LCD TV
- Coach Stereo System
- Sound Bar & Subwoofer
- Multi Media Cabinet Storage



SOLID SURFACE KITCHEN COUNTERTOP

- Luxurious, Durable Stone Top
- Heat Resistant
- Anti-Cut Surface
- Large Stainless Steel Sink



LARGE "LED" LIVING ROOM PAN CEILING LIGHT

- Bright, Soft White Light
- Energy Efficient
- Long Bulb Life
- Minimal Radiant Heat
- Dimmer Controlled

TOP SELLING FEATURES

CONCORD
by Coachmen

Intellitec



MULTIPLEX COMMAND CENTER

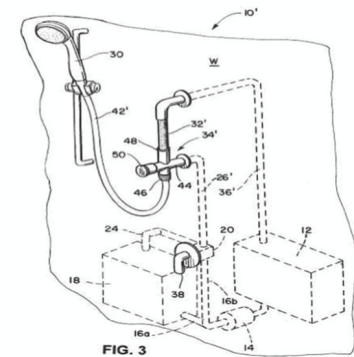
- Latest In Capacitive Touch Technology
- Sleek, flush mount, touch sensitive panel
- All-in-One Console combining the monitor panel, and auxiliary switches



AQUA VIEW SHOWERMISER

- "Extended Stay" Technology
- Saves 20%-40% of Fresh Water
- Saves 20%-40% of Gray Water Tank Capacity
- Fill Your Fresh Water Tank From Inside The RV

Showermiser

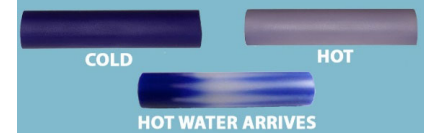


YOU MUST BE ABLE TO CONNECT TO THE NON-PRESSURIZED SIDE FOR THE SYSTEM TO WORK PROPERLY

BEFORE

AFTER

Simply turn the dial and SHOWERMISER® will show you when the hot water arrives!

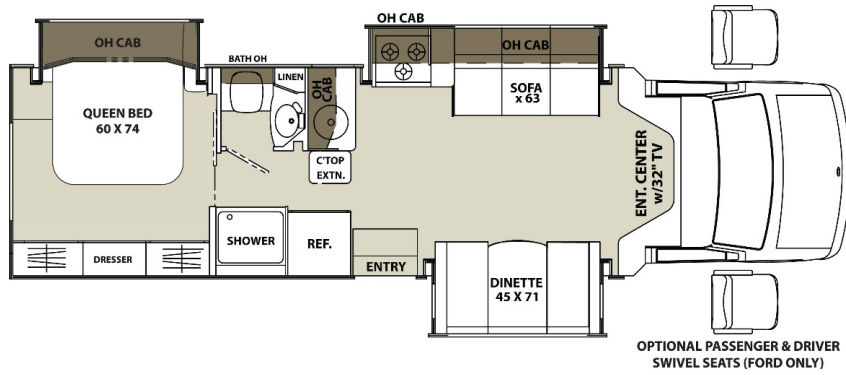


VIDEO: <https://youtu.be/zR4WF6Ugiys>

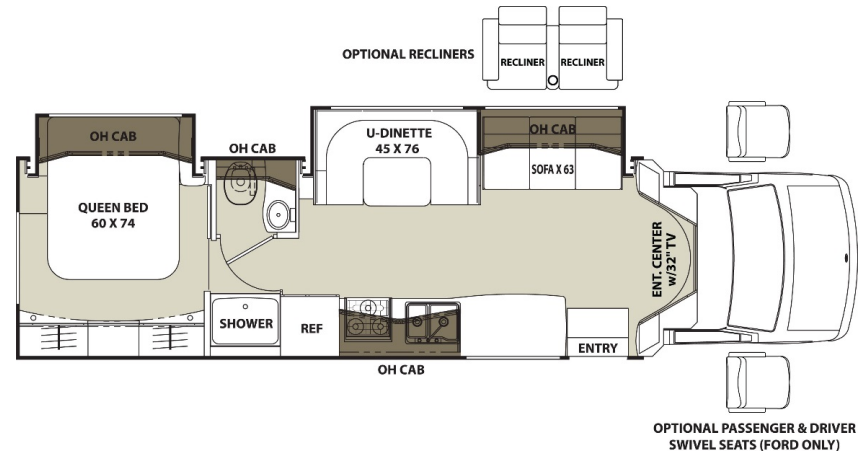
<http://www.aquaviewinc.com/rv/>

FLOOR PLANS

CONCORD
by Coachmen



300TS



300DS

SPECIFICATIONS



MODEL	300 TS	300 DS
CHASSIS	4500-CHEVY / E450-FORD	4500-CHEVY / E450-FORD
ENGINE	V6 - 6.0L / V10 - 6.8L	V6 - 6.0L / V10 - 6.8L
HORSE POWER	324 / 305	324 / 305
TORQUE	373 / 420	373 / 420
WHEEL BASE	209" / 208"	224" / 223"
GVWR (LBS.)	14,200 / 14,500	14,200 / 14,500
GCWR (LBS.)	20,000 / 22,000	20,000 / 22,000
UVW (APPROX. LBS.)	11,770 / 11,750	12,020 / 12,000
CCC (APPROX. LBS.)	2,430 / 2,750	2,180 / 2,500
GAWR FRONT (LBS.)	4,600 / 5,000	4,600 / 5,000
GAWR REAR (LBS.)	9,600 / 9,600	9,600 / 9,600
INTERIOR HEIGHT	6' 6"	6' 6"
EXTERIOR WIDTH	8' 0"	8' 0"
EXTERIOR HEIGHT (W/ A/C)	10' 8"	10' 8"
EXTERIOR LENGTH (W/ HITCH)	31'-6" / 31'-0"	33' 3" / 32'-9"
HITCH WEIGHT (LBS.)	5,000 / 7,500	5,000 / 7,500
FUEL CAPACITY (GAL.)	57 / 55	57 / 55
LP CAPACITY (LBS.)	85	85
FRESH WATER CAPACITY (GAL.)	43	43
WATER HEATER CAPACITY (GAL.)	6	6
GREY TANK CAPACITY (GAL.)	53	53
BLACK TANK CAPACITY (GAL.)	28	28
EXTERIOR STORAGE (CU. FT.)	44	44
AWNING LENGTH (FT.)	21'	21'

CHASSIS

CONCORD by Coachmen



FORD E450

- **14,500 lb GVWR/ 7,500 lb Towing Hitch**
- 6.8L Triton® V10 Engine
- 305 Horsepower
- **420 lb-ft Torque**
- Six-speed TorqShift® Automatic with selectable tow/haul mode that compensates for altitude, grade & load conditions
- Chassis Warranty – 36 month/36,000 mile
- Drivetrain Warranty – 60 month/60,000 mile

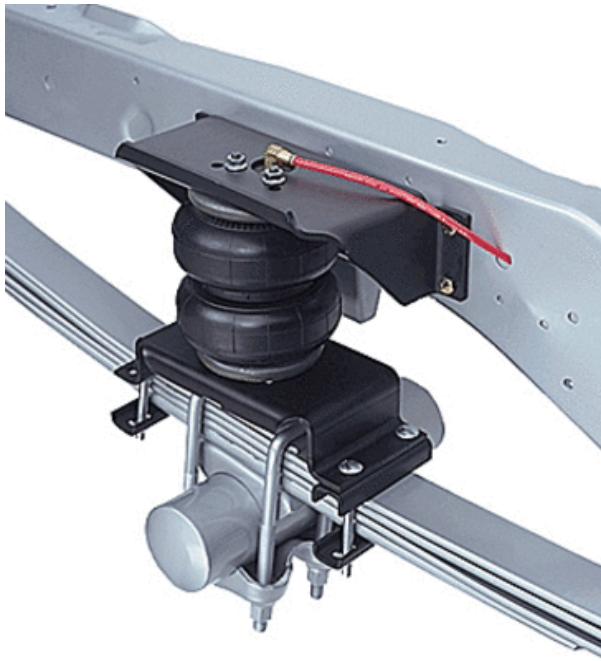


CHEVY EXPRESS 4500

- 14,200 lb GVWR/ 5,000 lb Towing Hitch
- 6.0L Vortec® V8 Engine
- **324 Horsepower**
- 373 lb-ft Torque
- Six-speed Hydra-Matic® automatic transmission includes Tap-Up/Tap-Down Driver Shift Control & auto grade braking engine break
- Chassis Warranty – 36 month/36,000 mile
- Drivetrain Warranty – 60 month/60,000 mile

PREMIER CHASSIS

C O N C O R D
by Coachmen



FIRESTONE RIDE-RITE AIR ASSIST SUSPENSION

- Improved Steering Control
- Individual Inflation Valves Allow for Side-to-Side Adjustment
- Reduces Suspension Fatigue
- Reduces Bottoming Out
- Increases Vehicle Stability
- Levels Vehicle Payload for Transport
- DO NOT EXCEED 100 PSI IN AIR BAG
- Available on Select Models (See www.coachmenrv.com for Details)
- 24 month/ 24,000 mile warranty