

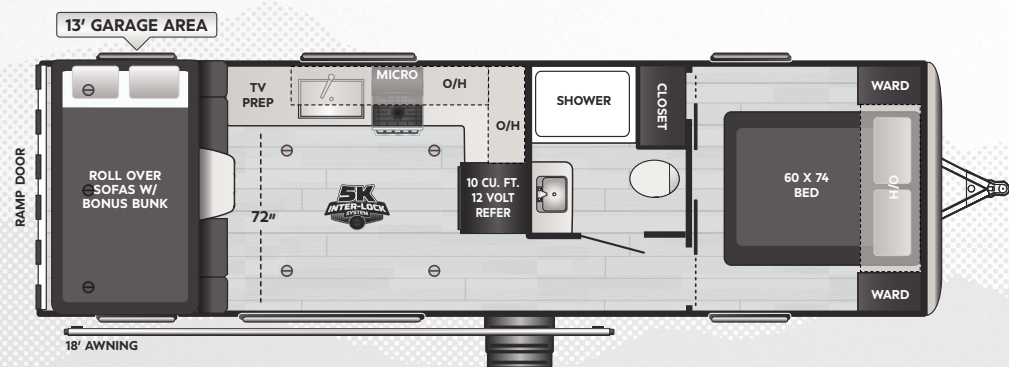


**KEYSTONE**  
RV COMPANY

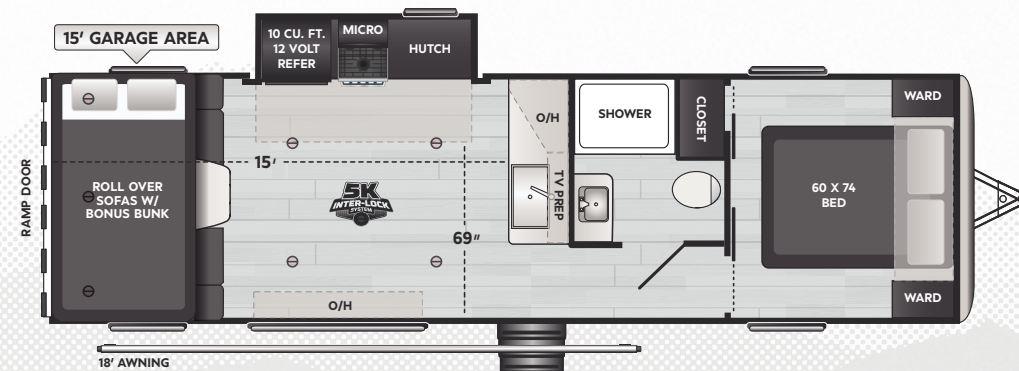
# RAPTOR

CARBON SERIES

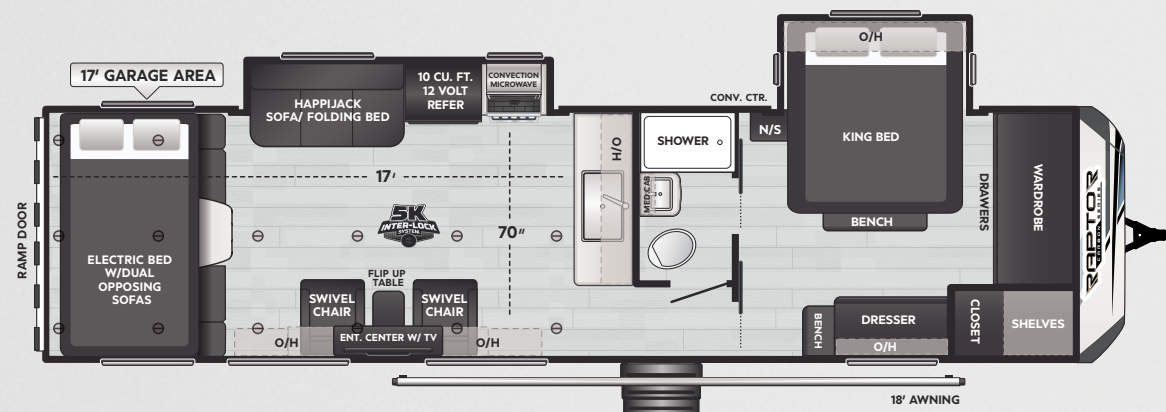
2025 | TOY HAULER TRAVEL TRAILERS



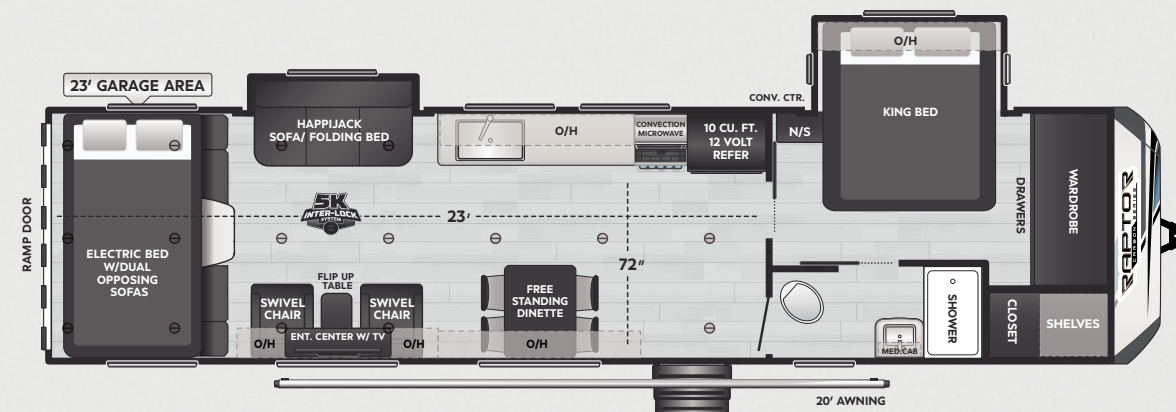
**29WFO** | WEIGHT 7049 | LENGTH 32' 3"



**30WFO** | WEIGHT 7666 | LENGTH 33' 51"



**32** | WEIGHT 9575 | LENGTH 36' 10"



**33** | WEIGHT 9640 | LENGTH 37' 9"

DISCLAIMER: Product information is as accurate as possible as of the date of this publication. All features, floor plans, and specifications are subject to change without notice. Pre-production estimated weights & lengths may be listed; visit [Keystonerv.com](http://Keystonerv.com) for the most current product information and specifications.

**CAMP BETTER**  
KINDNESS · COMMUNITY · PLANET





**KEYSTONE**  
RV COMPANY

# RAPTOR

CARBON SERIES

2025 | TOY HAULER TRAVEL TRAILERS

## CARBON LAMINATED FEATURES

### INTERIOR

- » Designer Style Vinyl Flooring Throughout
- » 6.5' Tall Living Room And Kitchen Slides
- » Pull-Down Window Shade
- » Soft-Close Hardwood Cabinetry W/ Hidden Hinges, 100 LBS. Full Extension Ball-Bearing Drawer Glides
- » Farmhouse Style Stainless Steel Kitchen Sink W/ Roll-Up Sink Cover/Drying Rack & High-Rise Kitchen Faucet
- » Portable Multi-Use Table
- » Pressed Countertops
- » 60" X 80" Queen Bed
- » Omni-Chill® 3/4 Ton High Efficiency A/C
- » 35K BTU Gas Furnace
- » 8 Cu. Ft. 12V Refrigerator
- » 3-Burner Range And 17" Black Oven
- » 5K LBS. Frame Welded Tie-Downs
- » Outside Shower W/Hot & Cold With 25' Coil Hose
- » One-Touch Electric Awning W/ LED Lights

### EXTERIOR

- » 10" I-Beam Frame
- » Laminated Sidewalls W/ Double-Welded Aluminum Construction
- » Large Tinted Safety Glass Windows
- » Painted Fiberglass 3/4 Cap W/ Patented KeyShield™ Protection & LED Lighting
- » 5" Pre-Engineered Roof Truss Walkable Rafters & Alpha SuperFlex™ Roof Membrane W/ 18 Yr. Warranty
- » BAL® Accu-Slide™ Expandable Room System
- » Dexter® E-Z Lube 6K LBS. Axles W/ 12" X 2" Self-Adjusting Electric Brakes
- » F-Rated Tires W/ 5-Year Warranty
- » Spare Tire
- » Electric Stabilizer Jacks
- » 72" Entry Door On Travel Trailer
- » Furrion Wireless Backup Camera Prep
- » Battery Quick-Disconnect
- » Convenience Center (Single-Point For All System Hook-Ups)
- » MORryde StepAbove®
- » Generator Prepped
- » Outside Shower W/Hot & Cold With 25' Coil Hose
- » One-Touch Electric Awning W/ LED Lights

## CARBON ALUMINUM FEATURES

### EXTERIOR

- » 10" I-Beam Frame & Aluminum Sidewalls
- » Large Tinted Safety Glass Windows
- » 5" Pre-Engineered Roof Truss Walkable Rafters & Alpha SuperFlex™ Roof Membrane W/ 18 Yr. Warranty
- » BAL® Accu-Slide™ Expandable Room System
- » Dexter® E-Z Lube 6K LBS. Axles W/ 12" X 2" Self-Adjusting Electric Brakes
- » F-Rated Tires W/ 5-Year Warranty & Spare Tire
- » Electric Stabilizer Jacks
- » 72" Entry Door On Travel Trailer
- » Lighted Pass Through Storage
- » Furrion Wireless Backup Camera Prep
- » Battery Quick-Disconnect
- » Convenience Center (Single-Point For All System Hook-Ups)
- » MORryde StepAbove®
- » Outside Shower W/Hot & Cold With 25' Coil Hose
- » One-Touch Electric Awning W/ LED Lights
- » Available 30 Gal Fuel Station

### INTERIOR

- » Designer-Style Vinyl Flooring Throughout
- » 6.5' Tall Living Room And Kitchen Slides
- » Pull-Down Window Shade
- » Soft-Close Hardwood Cabinetry W/ Hidden Hinges, 100 LBS. Full-Extension Ball-Bearing Drawer Glides
- » Pressed Countertops
- » 60" X 74" Queen Bed
- » 30K BTU Gas Furnace
- » 15K BTU A/C With 2nd A/C Prep
- » 10.7 Cu. Ft. 12V Refrigerator
- » 3-Burner Range And 17" Black Oven
- » Girard® Tankless On-Demand Water Heater
- » 5K LBS. Frame Welded Tie-Downs

# STANDARD FEATURES & OPTIONS



DISCLAIMER: Product information is as accurate as possible as of the date of this publication. All features, floor plans, and specifications are subject to change without notice. Pre-production estimated weights & lengths may be listed; visit [Keystonerv.com](http://Keystonerv.com) for the most current product information and specifications.

**CAMP BETTER**  
KINDNESS · COMMUNITY · PLANET



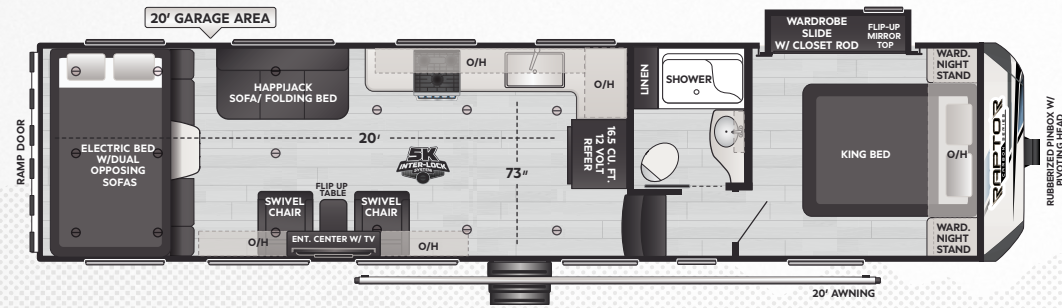


**KEYSTONE**  
RV COMPANY

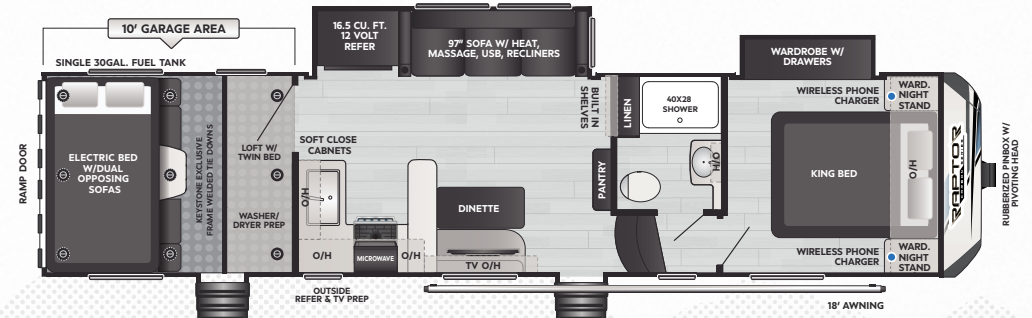
# RAPTOR

CARBON SERIES

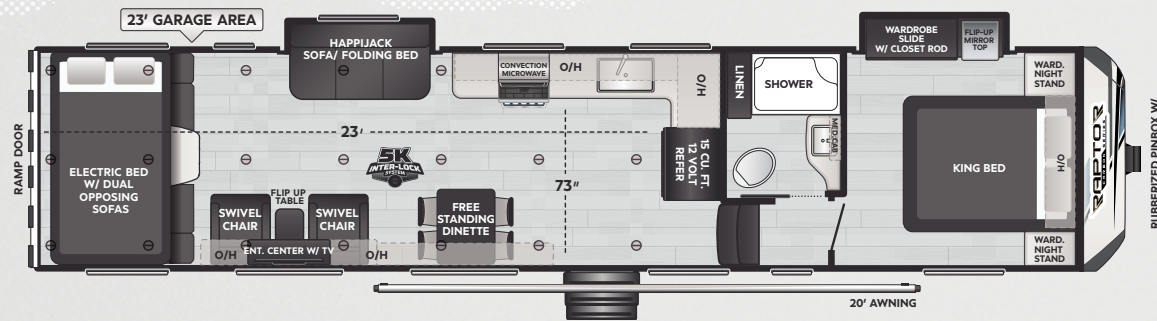
2025 | TOY HAULER FIFTH WHEELS



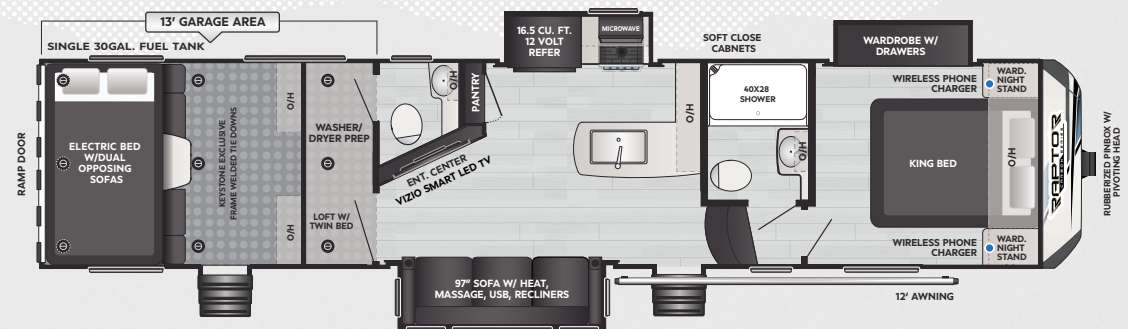
**310** WEIGHT 11246 LENGTH 35' 3"



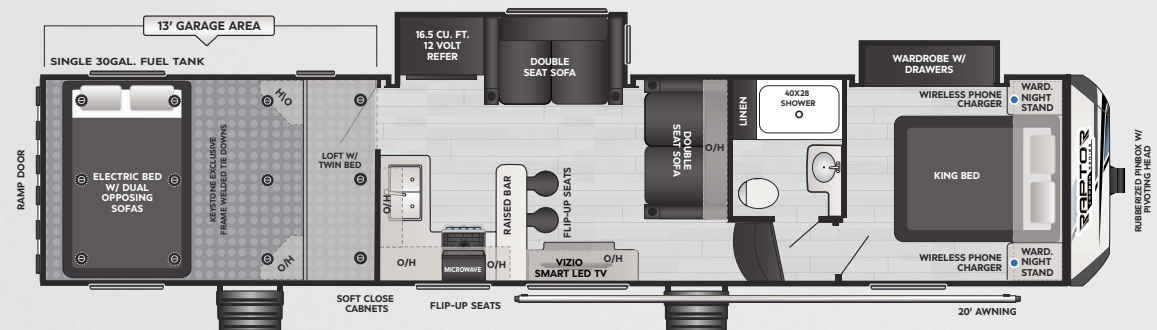
**338** WEIGHT 12160 LENGTH 35' 11"



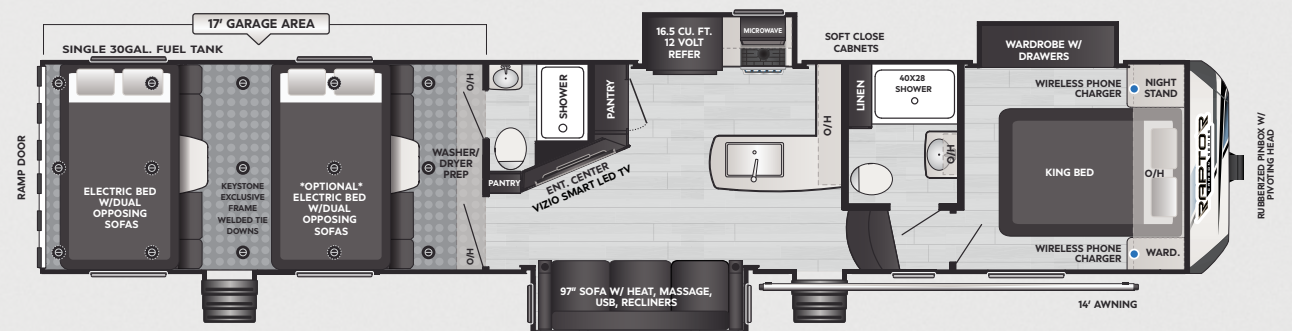
**340** WEIGHT 12205 LENGTH 38' 3"



**358** WEIGHT 13035 LENGTH 38' 11"



**360** WEIGHT 13095 LENGTH 39' 11"



**398** WEIGHT 14498 LENGTH 43' 11"

DISCLAIMER: Product information is as accurate as possible as of the date of this publication. All features, floor plans, and specifications are subject to change without notice. Pre-production estimated weights & lengths may be listed; visit [Keystonerv.com](http://Keystonerv.com) for the most current product information and specifications.

**CAMP BETTER**  
KINDNESS · COMMUNITY · PLANET





**KEYSTONE**  
RV COMPANY

# RAPTOR

CARBON SERIES

2025 | TOY HAULER FIFTH WHEELS

## INTERIOR

- » Extreme Weather Package
- » Omni-Chill® A/C System
- » Blade™ High-Performance Airflow System
- » 35K BTU Furnace
- » Industry-leading 5K LBS. Frame-Welded Tie Downs
- » Girard® On-Demand Tankless Water Heater
- » Everchill® 12V Refrigerator
- » Hardwood Soft-Close Cabinet Doors
- » Pressed Countertops
- » Thomas Payne® Furniture W/ Heat, Massage, & LED Lights

## EXTERIOR

- » HitchVision w/ LED Lighting
- » MaxTurn™ Technology w/ Rota-Flex™ Pin Box
- » 6-Point Hydraulic Level-Up
- » Upgraded MORryde CRE3000 Suspension w/ 1/2" Thick Shackles & Wet Bolts
- » Dexter® E-Z Lube 7K LBS. Axles w/ 12" X 2" Self-Adjusting Electric Brakes (6K LBS. FOR TRAVEL TRAILERS)
- » Nautilus Exterior Convenience Center
- » Winegard Air 360+ Omni-Directional Rooftop Antenna w/ Exclusive Satellite Passthrough

## MISCELLANEOUS

- » 3-Year Limited Structural Warranty
- » 1-Year Limited Base Warranty
- » SolarFlex™ Protect And SolarFlex™ Discover Solar Power Packages w/ Optional 100ah Dragonfly® Energy Lithium-Ion Battery
- » Keystone Digital Owner's Manual
- » First Time Camper's Video Series
- » DIY Repair Program

## CONSTRUCTION

- » 100" Wide Body Construction
- » One-piece Alpha SuperFlex™ TPO Roof Membrane w/ Limited Lifetime Warranty
- » Dyna Span Floor Decking
- » Heated and Enclosed Underbelly
- » 78" Extra Tall Entry Doors

## NEW FOR 2025

- » Sailun G-rated Tires
- » 3rd AC Prep
- » New Front Cap
- » New Décor
- » New Graphics
- » New Skirt Metal and Fenders

# STANDARD FEATURES & OPTIONS



DISCLAIMER: Product information is as accurate as possible as of the date of this publication. All features, floor plans, and specifications are subject to change without notice. Pre-production estimated weights & lengths may be listed; visit [Keystonerv.com](http://Keystonerv.com) for the most current product information and specifications.

**CAMP BETTER**  
KINDNESS · COMMUNITY · PLANET

